

 **TIITENT**®

FIRE 
MONSTER

This fire pit is designed for outdoor use. Please ensure the safety of the environment and assemble it in a safe location.

Contents:

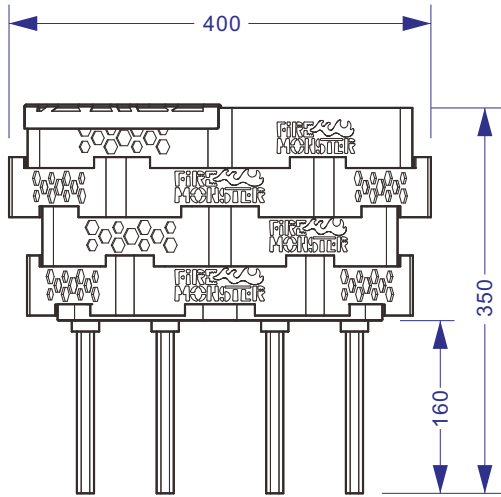
Hexagon frame x 4 pcs | Base x 1 pc | Legs x 4 pcs
Hex wrench x 1 pc | Shelf x 1 pc | Gloves x 1 pc
Storage bag x 1 pc

Caution

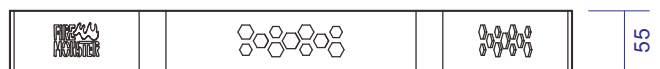
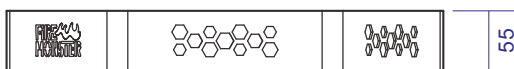
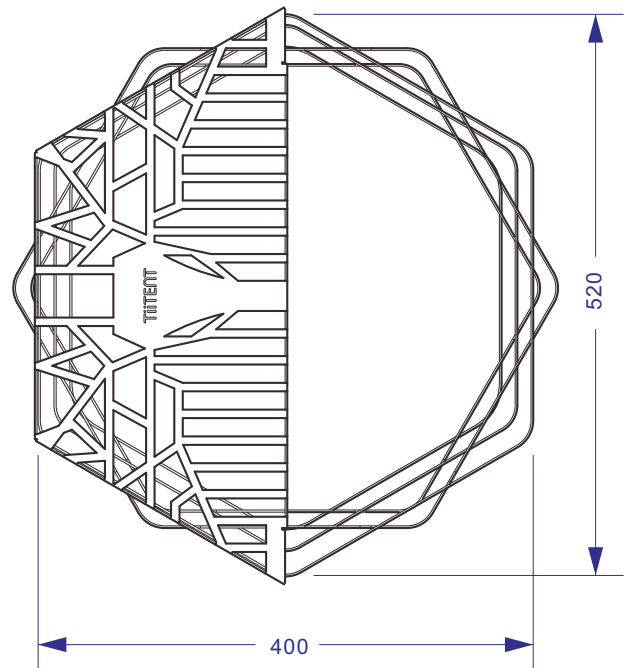
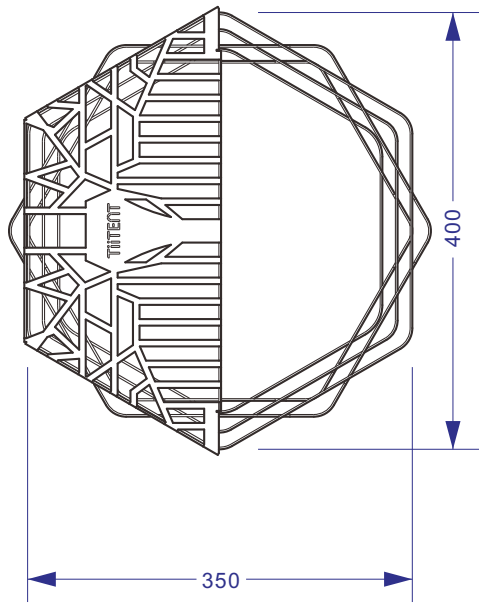
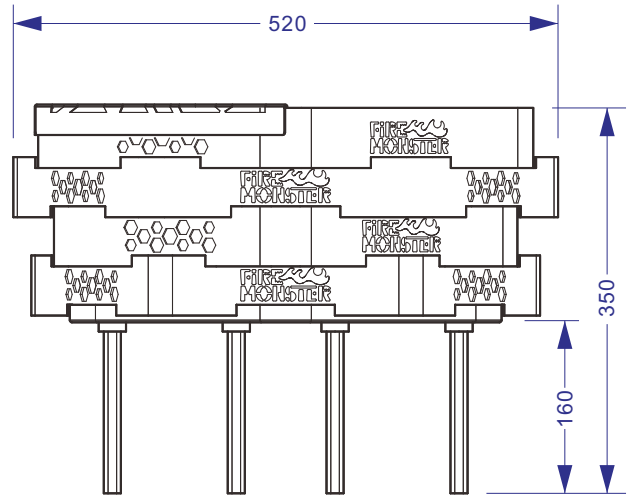
1. Please ensure that there are no flammable materials around when using it, and do not use it in a closed environment or inside a tent.
2. The bottom of the fire pit will generate heat when in use, please be aware of the surroundings to avoid irreversible incidents.
3. Avoid pouring cold water on the hot fire pit to prevent deformation.
4. After use, please wait until it cools down before moving the fire pit.
5. The hot-rolled steel will discolor and rust after high-temperature burning, which is normal.
6. After washing, please keep it dry to prevent rust.
7. Please pay attention to the safety of the site when using it to avoid any potential danger caused by tipping over.
8. This product can hold up to 25KG, please do not exceed the weight limit.
9. The fire pit is only for burning fires, please do not use it for other purposes.
10. The shelf is made of hot-rolled steel material, please do not directly contact it with food.
11. After use, oil can be applied to prevent rust, do not soak the fire pit in water when it's hot to prevent deformation.

Dimension

TFM_M40



TFM_L52

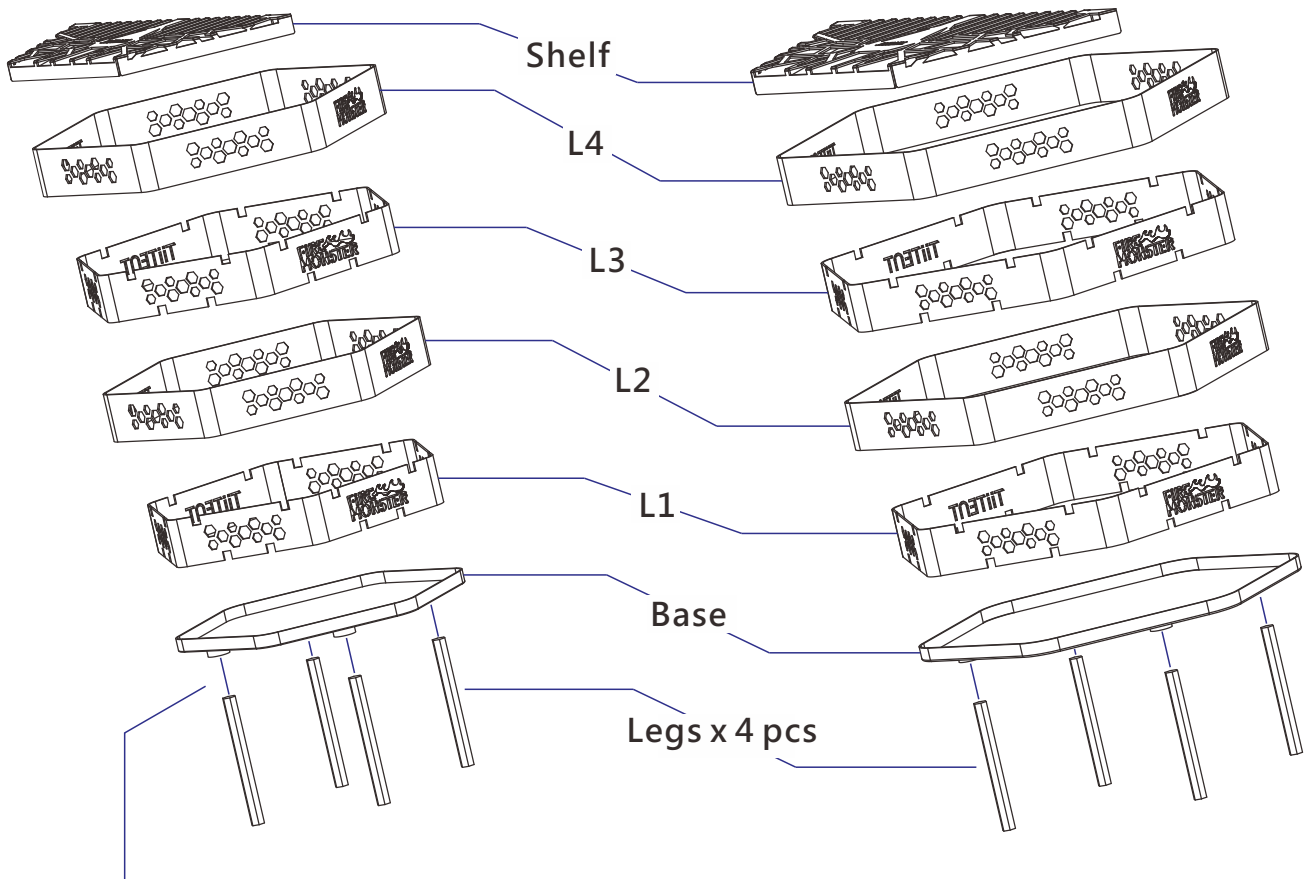


Unit: mm

Assembly Instructions

TFM_M40

TFM_L52



Please tighten the legs with a wrench during assembly.

Assemble in sequence from small to large,
and cross assemble each piece by turning it 30 degrees.

