



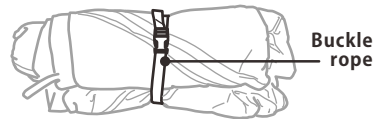
TiiTENT[®]
Hill200



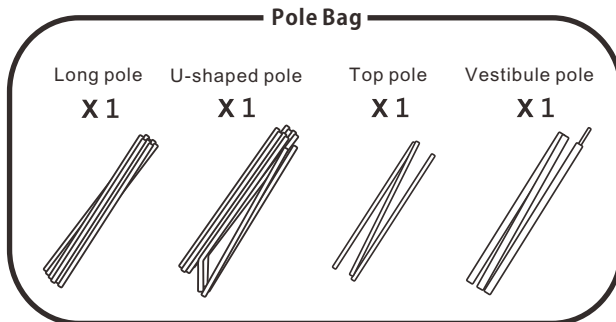
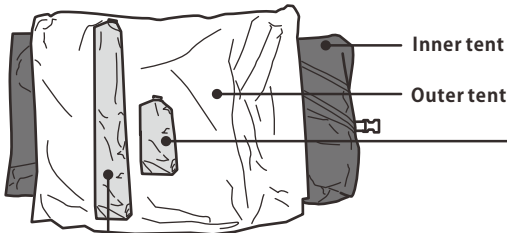
Note

If you want to have a beautiful pyramid tent, please adjust the pegging points and the webbing straps of the four corners in accordance with the terrain. Using brutal force will not help the tent stand tall and may damage the tent. Be sure to zip up before setting up the tent.

1. Content

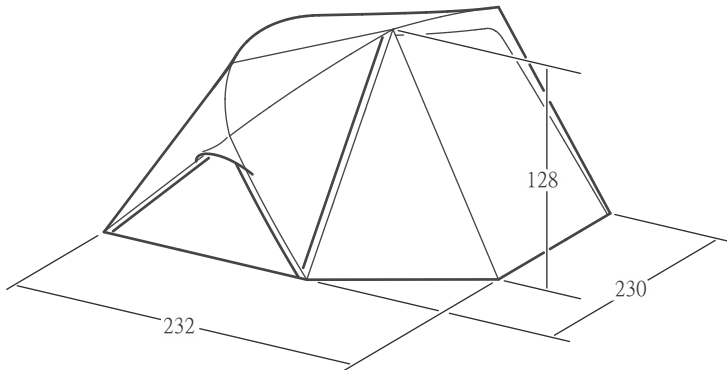


All contents contained in a large carrying bag.
After opening, there will be a bundle of cloth rolls fixed with a buckle rope.

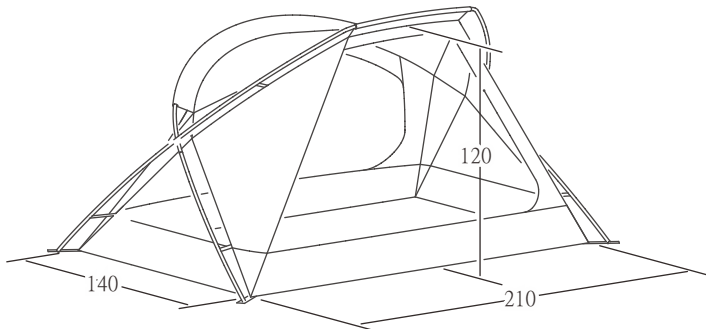


2. Dimension

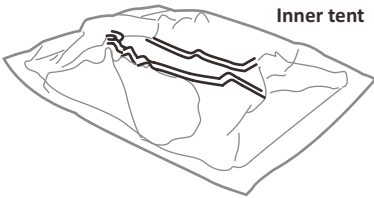
Outer tent size



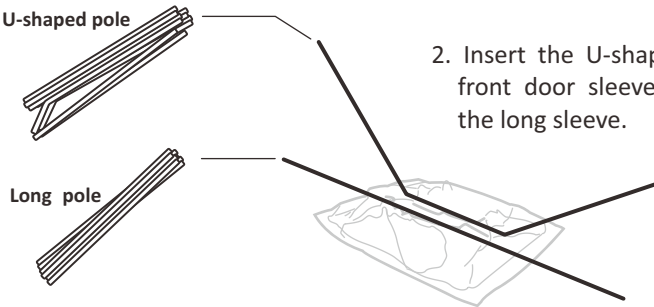
Inner tent size



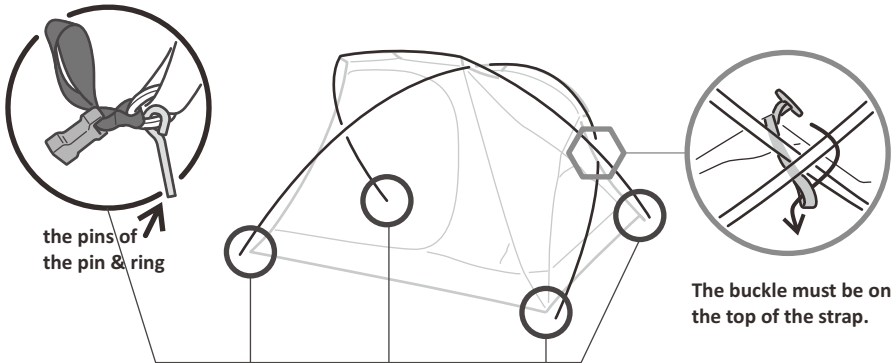
3. Set up the tent



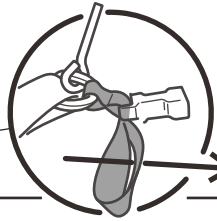
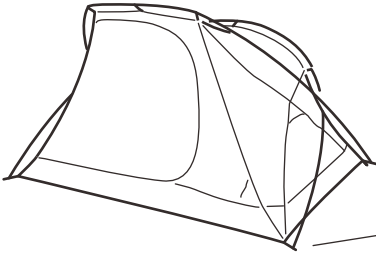
1. Spread out the inner tent and identify the sleeves on the top of the tent. The front door sleeve is shorter and the rear door sleeve is longer.



3. Erect the two poles with the poles crossing each other. Insert the pins of the ring & pin connectors at the bottom corners of the tent into the ends of the poles. Secure the crossing points of the two poles using olive buckles.



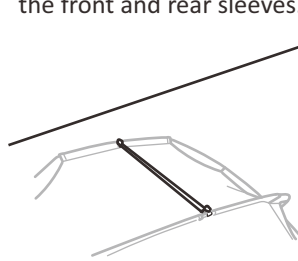
4. You need to stake the inner tent first before setting up the outer tent. Therefore, please decide the camping base before pegging.



pegging place



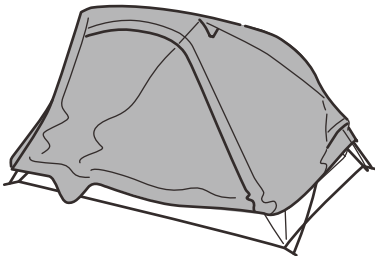
5. Hook the guy rope for top pole to the exposed part of the poles inserted in the front and rear sleeves.



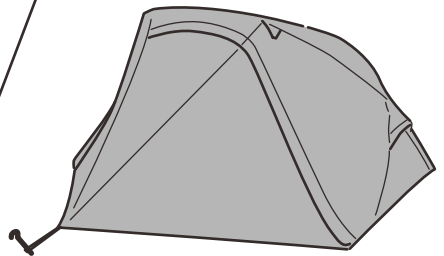
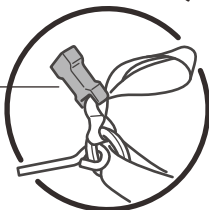
top pole

6. Insert the top pole into the sleeves on both sides of the guy rope for top pole.

7. Spread out the outer tent and put it over the inner tent. Flatten out the outer tent and fasten the four male buckles at the bottom of the fly to the female buckles on the inner tent.



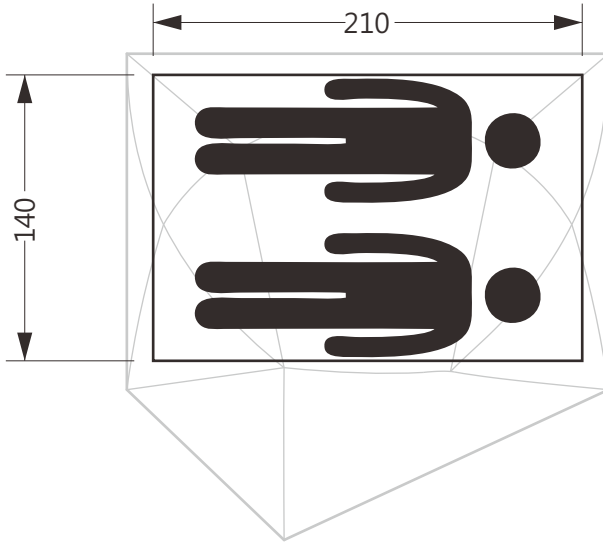
female buckle



8. Pull the rope on the pointed end of the front door to tighten it properly and stake it down to the ground. Now you can enjoy your time with Hill200.

4. Space

Hill200 internal accommodation



The space of the inner tent is 210x140cm
Can easily accommodate 2 adults

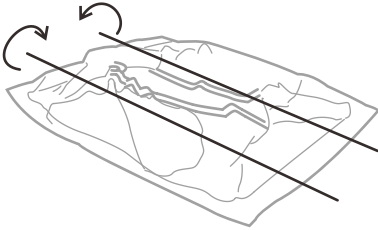


Height scale

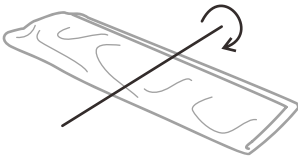
5. Pack away the tent

Pack away the inner tent:

1. Divide it into three equal parts and fold the sides towards the center.



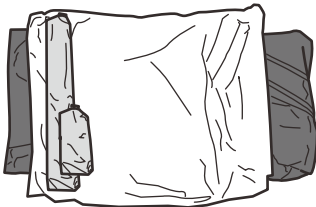
2. Fold it in half (short end to short end)



3. Put it over the outer tent



Opening of the tent



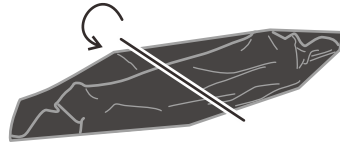
Put the bag of poles and the bag of pegs over the tent and roll up towards the opening of the tent while squeezing the air out slowly.

Pack away the outer tent:

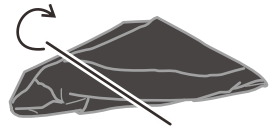
1. Pull up the four top corners of the outer tent with the front door facing down.



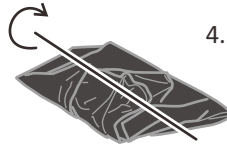
2. Fold it in half (short end to short end)



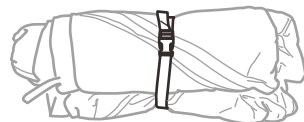
3. Fold the edge inward



4. Fold it in half (short end to short end)



5. Place it under the inner tent



Buckle up and tighten the rope before putting it into the tent bag.



6. Notes

1. When using the product, make sure all pegs and wind-resistant guy lines are fastened so the tent can provide the best performance.
2. This product is not flame resistant. Do not light a fire inside the tent in case any irreversible or irreparable damage is caused. Be careful of fire, lack of oxygen, and carbon monoxide poisoning when using heaters in the tent. Please set up the tent in a location with good ventilation and drainage and without natural and manmade disasters.
3. Be aware of the weather. Please leave the campsite for a safe location in accordance to your evacuation plan if the weather gets bad. In the case of inclement weather or strong winds, please check your tent thoroughly to make sure all pegs and guy lines are fastened.
4. Before using the tent for the first time, please try to set up the tent and confirm the accessories and the steps for setting up the tent. To ensure the tent is used appropriately, please learn and understand how to use it. Please contact the vendor for any malfunctions.
5. When the temperature inside the tent is higher than the outside, water vapor will change into liquid water when it hits the wall of the flysheet and form droplets. This process is called condensation. Please keep the tent well ventilated to reduce this phenomenon.
6. The bottom end of the two rows of the door zipper is slightly unequal in length due to the manufacturing process. Do not pull the zipper too hard in case of damage.

Emergency Responses

With proper use and maintenance, the TiiTENT product can stay in good quality. Please be aware of the following important information to prevent damage to the product:

1. Accidents may damage the poles and fabric. Please bring repair kits (duct tape, guy lines, and tubes for reinforcements) with you at all times for immediate use.
2. If damage to the product is not fixed immediately, it may result in serious and even irreparable harm. If the fabric is torn or broken, please place duct tape over both sides of the fabric to prevent the damage from spreading or remove the damaged fabric.
3. Prolonged exposure to sunlight can cause colors to fade, weakening the strength of the fabric. Please bear in mind that the tent is not intended for use in prolonged settings in which they remain exposed to the sun. When the degradation caused by sunlight exceeds the endurance limit of the fabric, the damage will become permanent.
4. If the product is constantly damp, mold, stinky smells, color bleed, or fabric degradation may occur. Therefore, please make sure the product is fully dry before attempting to store it.
5. If the fabric becomes moldy due to humidity, the mildew might not be removed. However, please remove the mold on the surface and disinfect the fabric with alcohol. If the fabric is damaged by mold, leakage will occur.

Conditions Not Covered by our Warranty

Our products have undergone a rigid quality control process. Our warranty covers all the defects derived from errors during production; however, the following problems are not covered by our warranty.

Sorry for the inconvenience.

- 1. Damage caused by unexpected incidents.**
- 2. Damage due to improper use or undue force.**
- 3. Degradation of the materials over time or due to exposure to UV light.**
- 4. Damage caused by defects not associated with production.**
- 5. Damage from remodeling.**

If you have any questions regarding the warranty, please contact the retailer where you have bought the product from for after-sales services.



Video for pack away the tent



Video for setting up the tent



Tsair Yih Industrial Co., Ltd.
No.5, Xingye St., Xiaogang Dist.,
Kaohsiung City 812, Taiwan
service@titent.com
TEL:+886 7 8715879